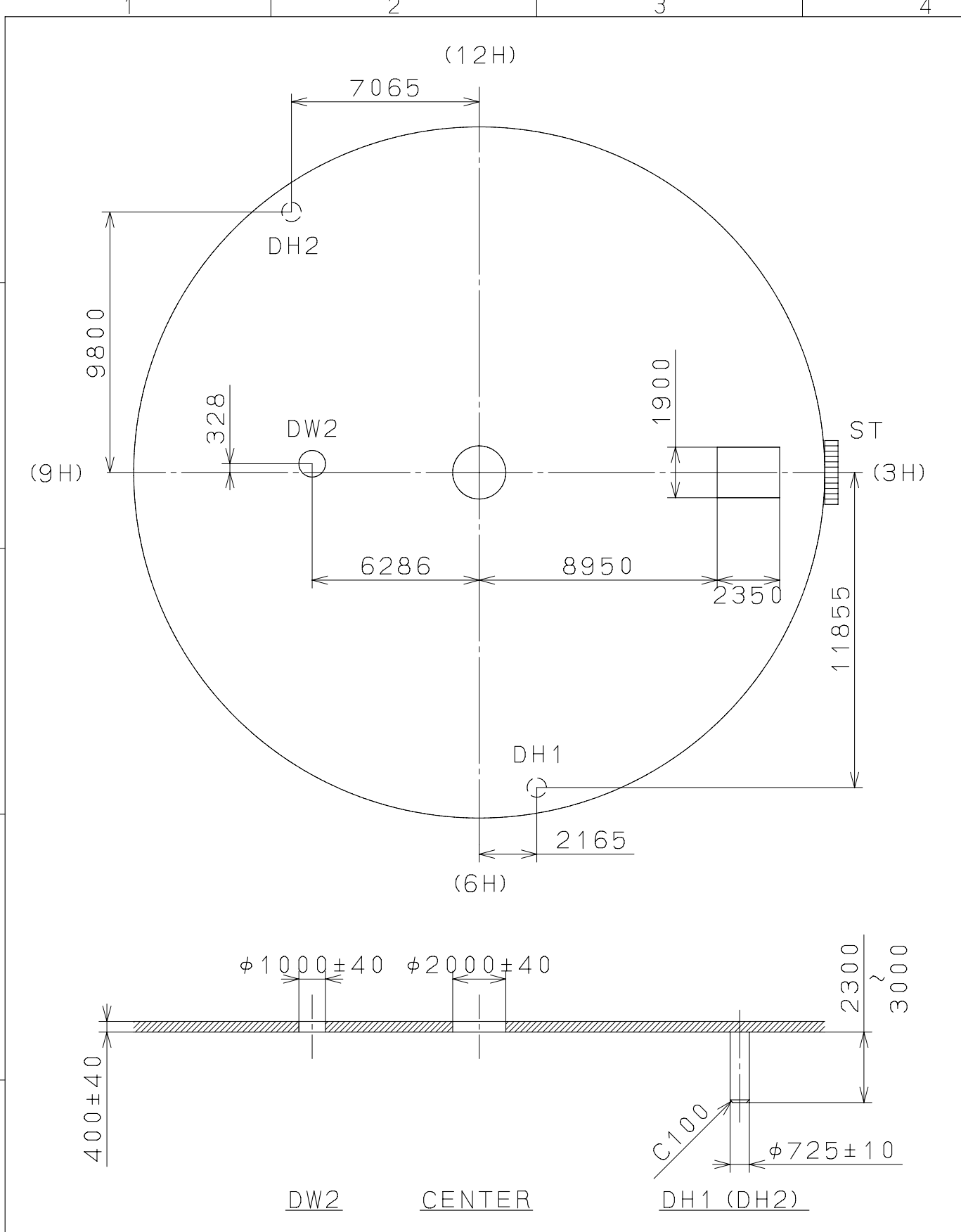


Material	Alterations	Quantity	Unit	Cal. NO.:
Heat Treatment	Date	1 / 1000	mm	82117
Hardness	Description	Scale	7 : 1	Parts No.:
Plating	Checked	Drawn	N. Suzuki	Name:
	Approved			Frame for Case
				Drawing No.: 8217C012
				MIYOTA
				CITIZEN WATCH CO., LTD. TOKYO, JAPAN

2008/05/13 (14:05:02)

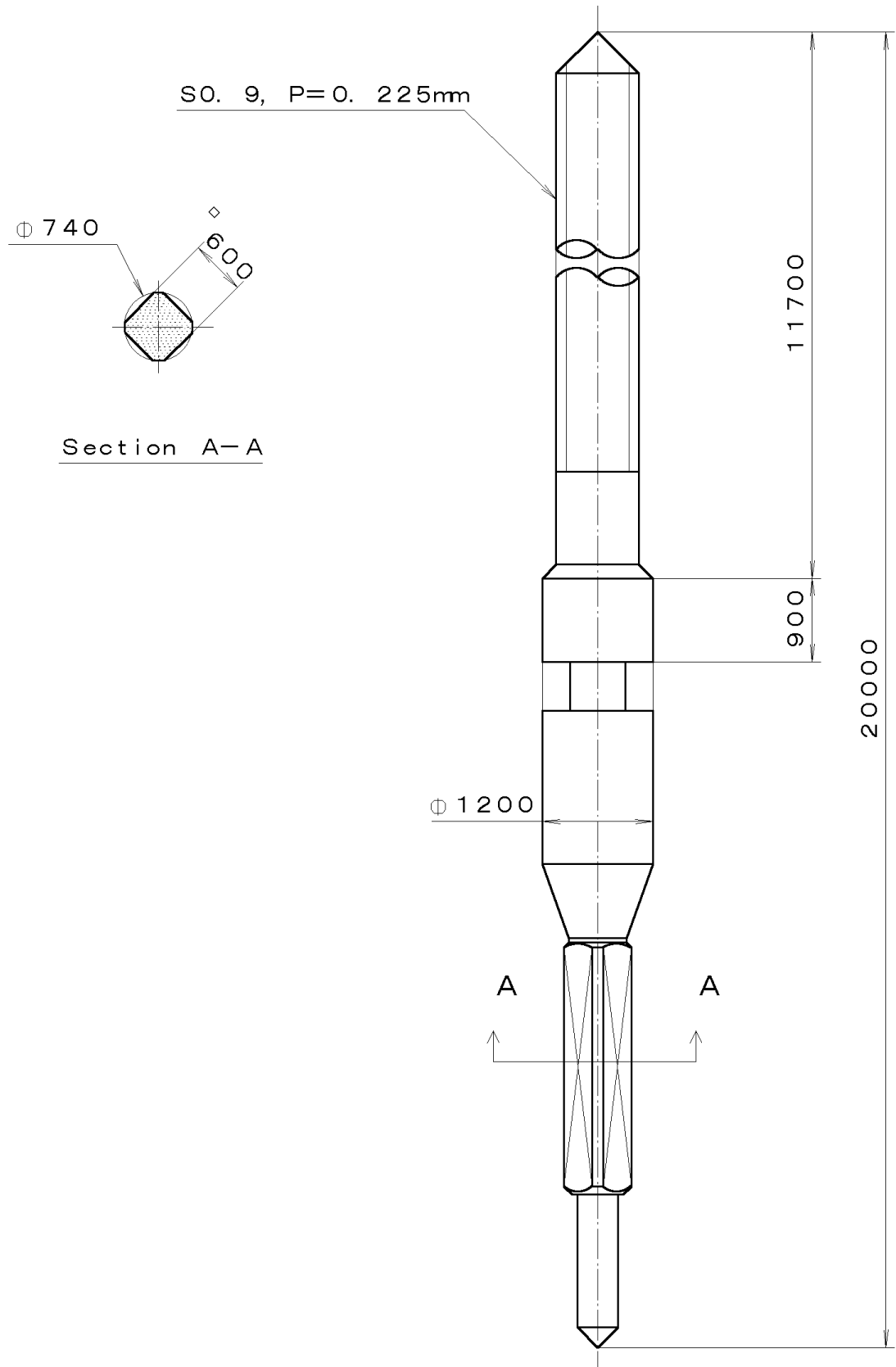
This drawing is provisional and subject to our reconfirmation and/or revision without notice.



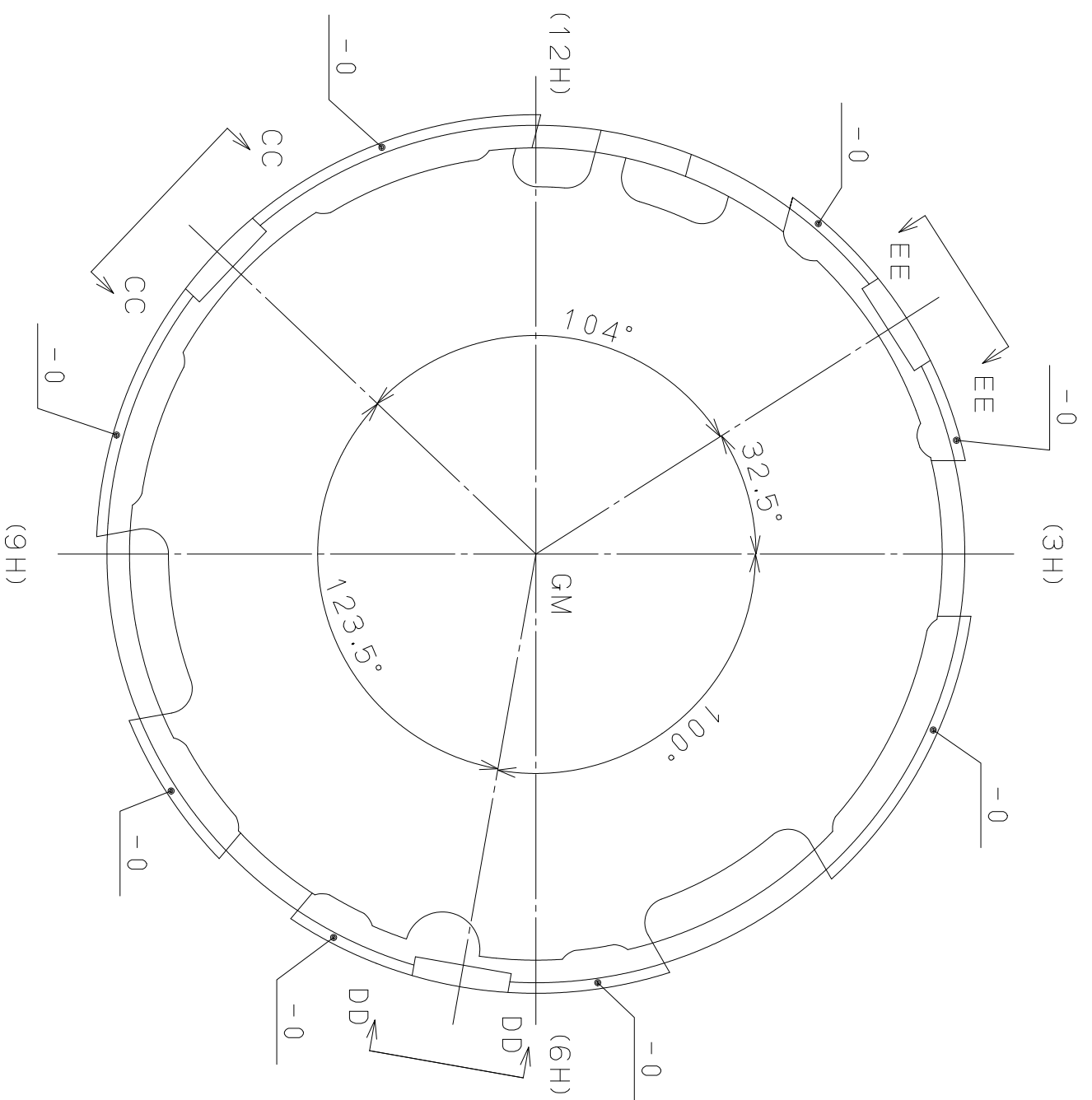
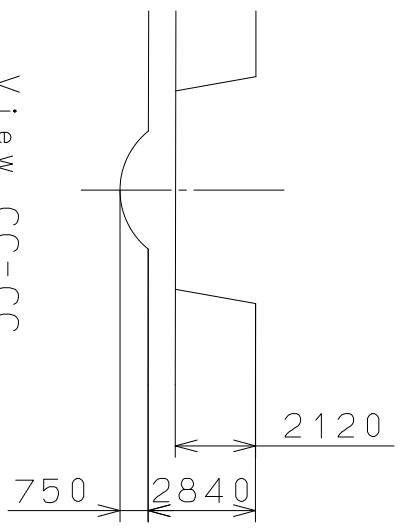
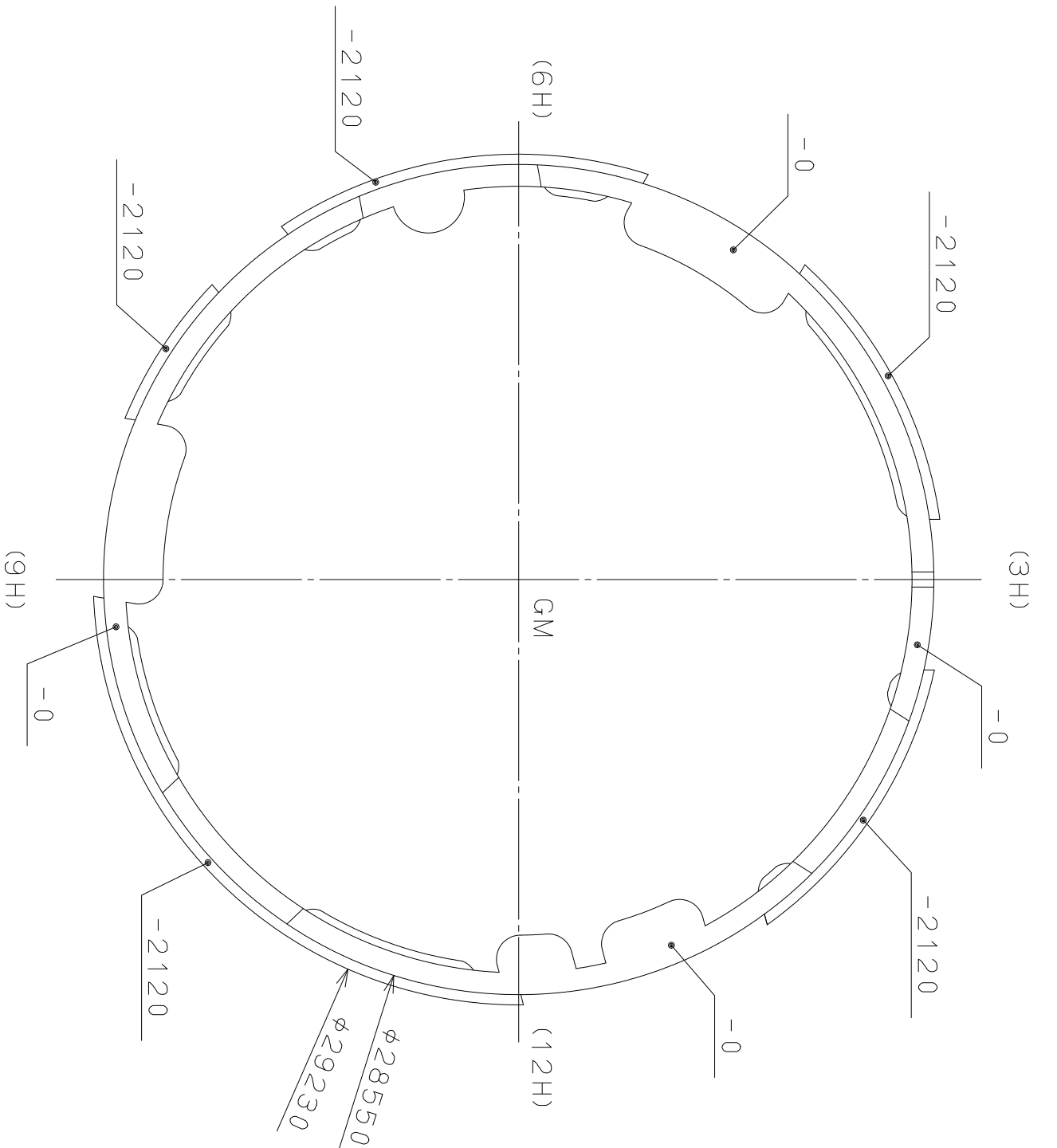
△			Quantity		Cal.NO.:
△			Unit	1/1000 _{mm}	8217-21A
△			Scale	5:1	Parts No.:
△			Date		
△			Drawn		
Mark	Date	Description	Appr.	Checked	Name:
		Alterations	Approved	N. Suzuki	Indications for Dial
Material					Drawing No.:8217D000
Heat Treatment			General Tolerances		MIYOTA
Hardness			Dimensions		
Plating			Angles		
					CITIZEN WATCH CO.,LTD. TOKYO,JAPAN

This drawing is provisional and subject to our reconfirmation and/or revision without notice.

*** T I P W (01) *** (2100 1121) 00-09-18



7			Quantity		Cal. No. :
6			Unit	1/1000 mm	
5			Scale	15:1	Parts:
4			Date		065-212
3			Drawn		
2			Checked	T. Hiruta	Name:
1			Approved		SETTING STEM
Material					Drawing No. : 2120S000
Heat Treatment			General Tolerances		CITIZEN WATCH CO.,LTD. TOKYO, JAPAN
Hardness			Dimensions		
Plating			Angles		



△	Quantity	1/1000 mm	Cal. NO.:
△	Unit	5 : 1	Parts No.:
△	Scale	Drawn	500-710
△	Date	Checked	Name:
△	Date	Approved	Casings Holder
△	Date	Drawn	Drawing No.: 8200E002
△	Date	Checked	Name: N. Suzuki
△	Date	Approved	
Material	Alterations	Approved	
Heat Treatment			
Hardness			
Plating			
	General Tolerances		
	Dimensions		
	Angles		

MIYOTA
CITIZEN WATCH CO., LTD. TOKYO, JAPAN